



JEBSEN & JESSEN
TECHNOLOGY | Pumps

***Single Stage
Double Suction***

***Split Case Centrifugal Pump
ISO 9001***



LS Series



LS Series

Single Stage Double Suction Split Case Centrifugal Pump



MATERIALS

Volute casing	DIN
Cast iron	GG-25
Ductile cast iron	GGG-40
Cast steel	GS-C25
Impeller	
Cast iron	GG-25
Bronze	G-CuSn10Zn
Stainless steel	1,4581 or 1.4028
Shaft	
C-steel	C45N
Cr-steel	1.4021
Casing wear rings	
Cast iron	GG-25
Bronze	G-CuSn5ZnPb
Brass	G-CuZn15Si4

Note : 304 or 316 stainless steel pump are also available.

MARKET SECTORS

Building Service, RHVAC, Agricultural, Municipality
Industrial, Power Station.

APPLICATION

Electra LS Series is mainly used for water and other non- abrasive liquids. Most range is designed to meet the particular needs of the following applications :

- Water supply
- Cooling System
- Refrigerating
- Air Condition
- Irrigation
- Fire Protection
- Pressure Booster

SPECIFICATIONS

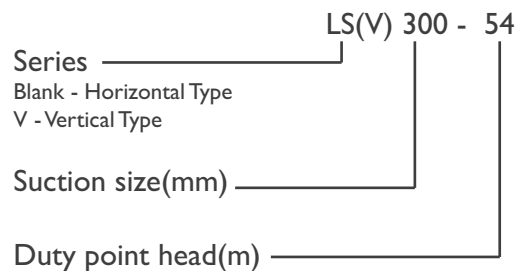
- Capacity : up to 4000 m³/hr
- Head : up to 200 m.
- Pump Size : 125 mm. - 500 mm.
- Speed : up to 3500 rpm
- Operating Pressure : up to 25 bar
- Operating Temperature : up to 130°C

Mechanical Seal made of carbon/ceramic/NBR : according to DIN 24960 Standard. Alternative materials are available on application.

Grease lubricated ball bearings : are fitted adjacent to the inserts and retained by bearing housings. ensure long bearing life.

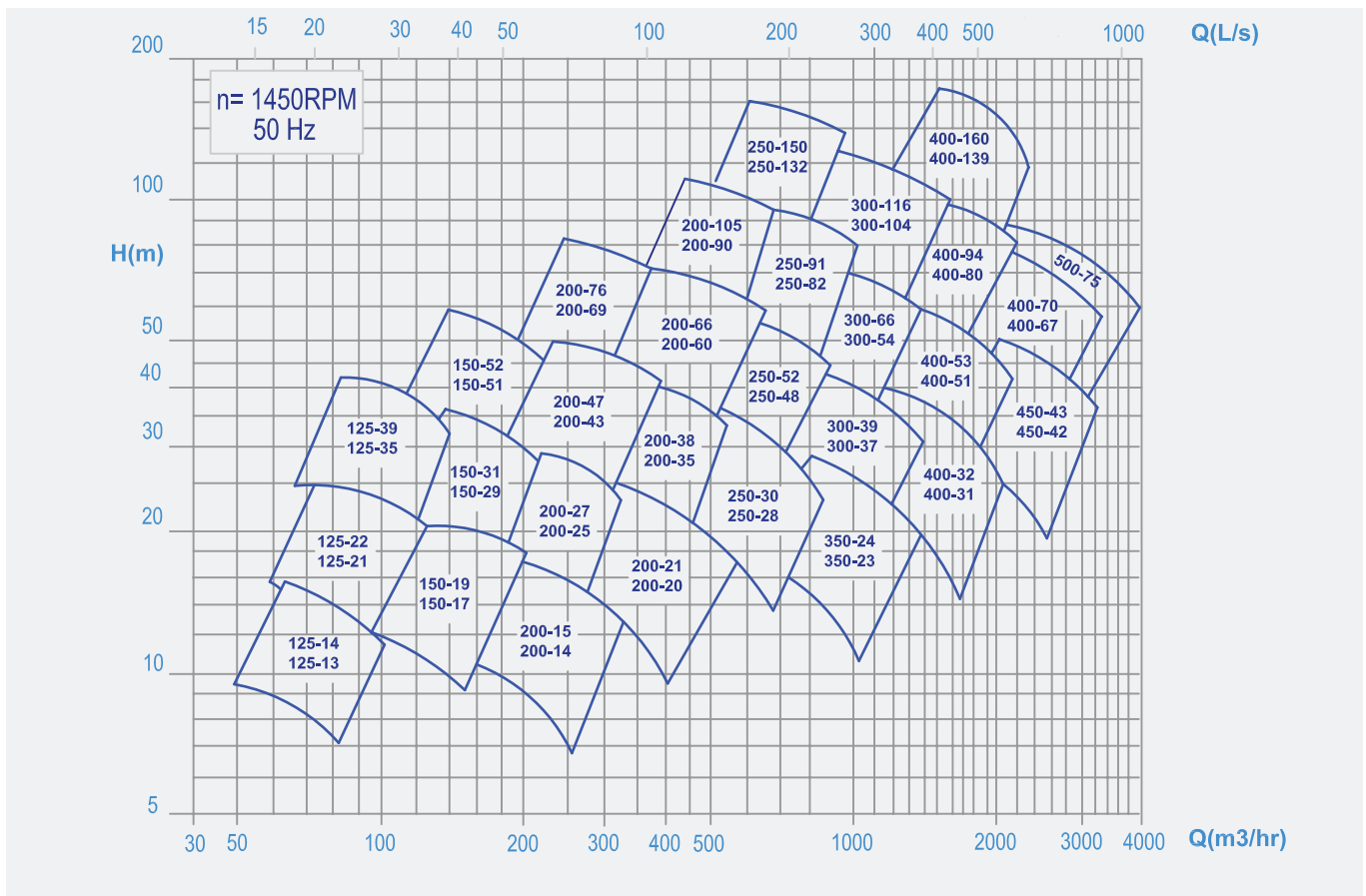
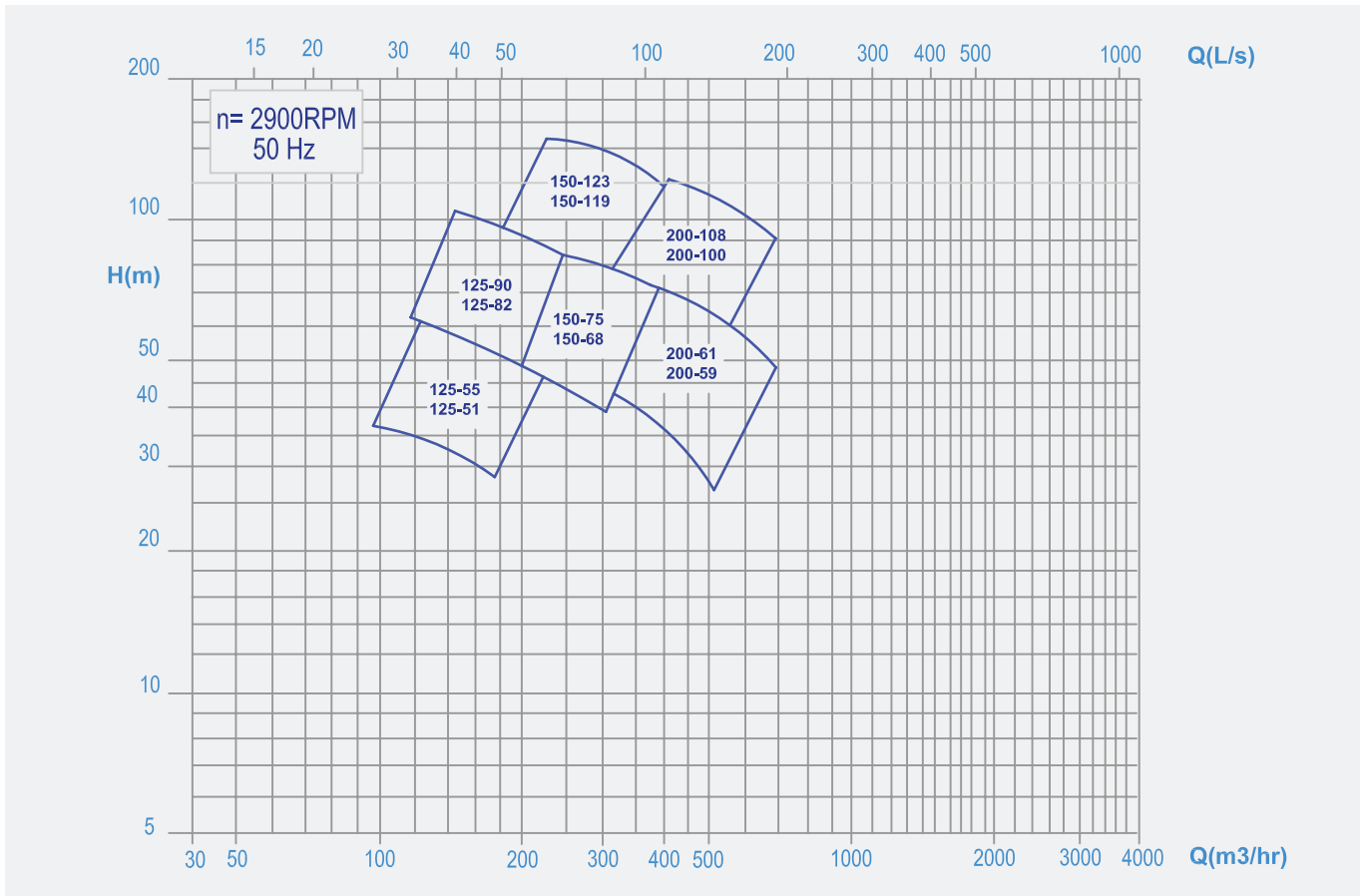
Two Rotation Options : Clockwise viewed at the drive end (Suction right hand side). Alternative counter clockwise viewed at drive end (Suction left hand side).

MODEL CODE



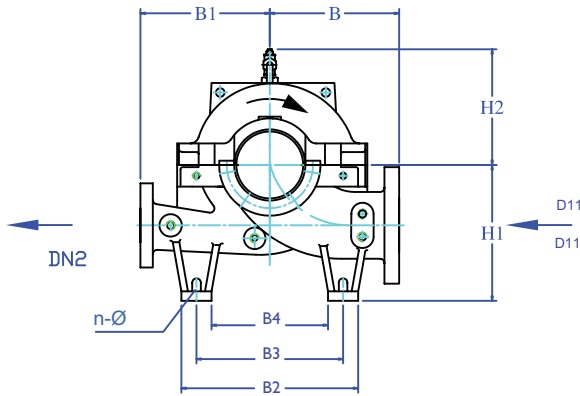


SELECTION CHART

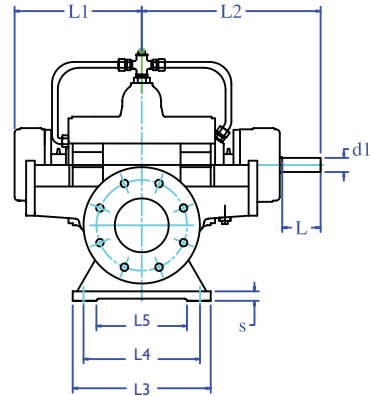




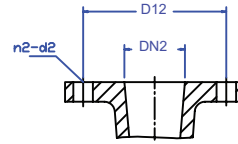
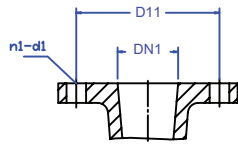
SELECTION CHART



Dimension of inlet



Dimension of outlet

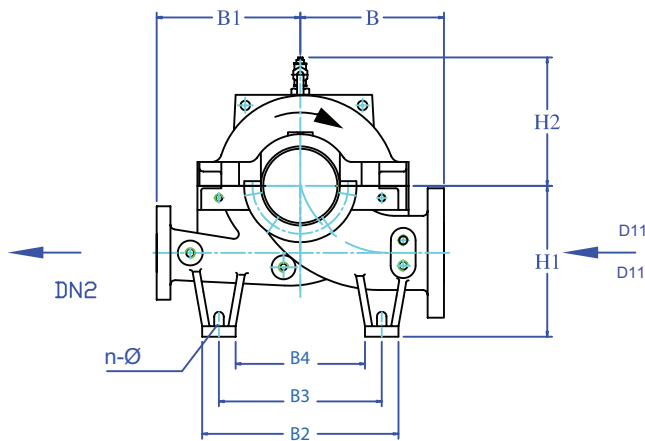


Pump Size	FLANGE						DIMENSION															Shaft	
	DN ₁	DN ₂	D11	D12	n1-d1	n2-d2	B1	B	L1	L2	H1	H2	n-Ø	L5	L4	L3	B4	B3	B2	S	d ₁	L	
125 - 55	125	80	210	160	8-Ø17.5	8-Ø17.5	300	300	315	415	315	276	4-Ø18.5	210	270	320	270	340	410	410	32	35	70
125 - 51	125	80	210	160	8-Ø17.5	8-Ø17.5	300	300	315	415	315	276	4-Ø18.5	210	270	320	270	340	410	410	32	35	70
125 - 14	125	80	210	160	8-Ø17.5	8-Ø17.5	300	300	315	415	315	276	4-Ø18.5	210	270	320	270	340	410	410	32	35	70
125 - 13	125	80	210	160	8-Ø17.5	8-Ø17.5	300	300	315	415	315	276	4-Ø18.5	210	270	320	270	340	410	410	32	35	70
125 - 90	125	80	210	160	8-Ø17.5	8-Ø17.5	300	300	315	415	315	268	4-Ø18.5	210	270	320	270	340	410	410	32	35	70
125 - 82	125	80	210	160	8-Ø17.5	8-Ø17.5	300	300	315	415	315	268	4-Ø18.5	210	270	320	270	340	410	410	32	35	70
125 - 22	125	80	210	160	8-Ø17.5	8-Ø17.5	300	300	315	415	315	268	4-Ø18.5	210	270	320	270	340	410	410	32	35	70
125 - 21	125	80	210	160	8-Ø17.5	8-Ø17.5	300	300	315	415	315	268	4-Ø18.5	210	270	320	270	340	410	410	32	35	70
125 - 39	125	80	210	160	8-Ø17.5	8-Ø17.5	330	330	315	415	315	311	4-Ø17.5	210	270	320	270	340	410	410	32	35	70
125 - 35	125	80	210	160	8-Ø17.5	8-Ø17.5	330	330	315	415	315	311	4-Ø17.5	210	270	320	270	340	410	410	32	35	70
150 - 75	150	100	240	180	8-Ø22	8-Ø17.5	330	330	315	415	355	273	4-Ø18.5	210	270	320	330	400	470	28	35	70	
150 - 68	150	100	240	180	8-Ø22	8-Ø17.5	330	330	315	415	355	273	4-Ø18.5	210	270	320	330	400	470	28	35	70	
150 - 19	150	100	240	180	8-Ø22	8-Ø17.5	330	330	315	415	355	273	4-Ø18.5	210	270	320	330	400	470	28	35	70	
150 - 17	150	100	240	180	8-Ø22	8-Ø17.5	330	330	315	415	355	273	4-Ø18.5	210	270	320	330	400	470	28	35	70	
150 - 123	150	100	240	180	8-Ø22	8-Ø17.5	330	330	381	515	355	315	4-Ø18.5	210	270	320	330	400	470	36	45	100	
150 - 119	150	100	240	180	8-Ø22	8-Ø17.5	330	330	381	515	355	315	4-Ø18.5	210	270	320	330	400	470	36	45	100	
150 - 31	150	100	240	180	8-Ø22	8-Ø17.5	330	330	315	415	355	315	4-Ø18.5	210	270	320	330	400	470	32	35	70	
150 - 29	150	100	240	180	8-Ø22	8-Ø17.5	330	330	315	415	355	315	4-Ø18.5	210	270	320	330	400	470	32	35	70	
150 - 52	150	100	240	180	8-Ø22	8-Ø17.5	370	370	315	415	355	346	4-Ø20	210	270	320	330	400	470	32	35	70	
150 - 51	150	100	240	180	8-Ø22	8-Ø17.5	370	370	315	415	355	346	4-Ø20	210	270	320	330	400	470	32	35	70	
200 - 59	200	125	295	210	8-Ø22	8-Ø17.5	370	370	381	515	400	288	4-Ø23	250	340	390	370	450	530	36	45	100	
200 - 61	200	125	295	210	8-Ø22	8-Ø17.5	370	370	381	515	400	288	4-Ø23	250	340	390	370	450	530	36	45	100	
200 - 14	200	125	295	210	8-Ø22	8-Ø17.5	370	370	381	515	400	288	4-Ø23	250	340	390	370	450	530	36	45	100	
200 - 15	200	125	295	210	8-Ø22	8-Ø17.5	370	370	381	515	400	288	4-Ø23	250	340	390	370	450	530	36	45	100	
200 - 108	200	125	295	210	12-Ø22	8-Ø17.5	370	370	381	515	400	308	4-Ø23	250	340	390	370	450	530	36	45	100	
200 - 100	200	125	295	210	12-Ø22	8-Ø17.5	370	370	381	515	400	308	4-Ø23	250	340	390	370	450	530	36	45	100	
200 - 27	200	125	295	210	12-Ø22	8-Ø17.5	370	370	381	515	400	308	4-Ø23	250	340	390	370	450	530	36	45	100	
200 - 25	200	125	295	210	12-Ø22	8-Ø17.5	370	370	381	515	400	308	4-Ø23	250	340	390	370	450	530	36	45	100	
200 - 47	200	125	295	210	12-Ø22	8-Ø17.5	370	370	381	515	400	338	4-Ø23	250	340	390	370	450	530	36	45	100	
200 - 43	200	125	295	210	12-Ø22	8-Ø17.5	370	370	381	515	400	338	4-Ø23	250	340	390	370	450	530	36	45	100	
200 - 76	200	125	295	210	12-Ø22	8-Ø17.5	450	450	381	515	400	365	4-Ø23	250	340	390	480	560	630	36	45	100	
200 - 69	200	125	295	210	12-Ø22	8-Ø17.5	450	450	381	515	400	365	4-Ø23	250	340	390	480	560	630	36	45	100	
200 - 21	200	150	295	240	8-Ø22	8-Ø22	400	400	381	515	400	323	4-Ø24	250	340	390	370	450	530	36	45	100	

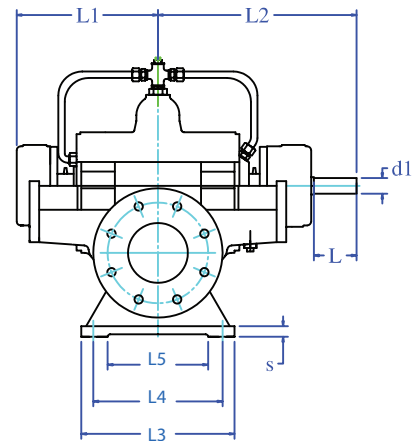


DIMENSION

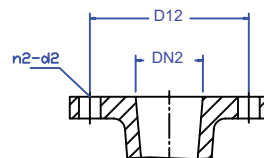
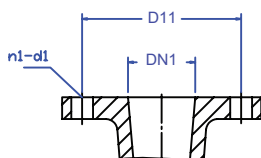
Pump Size	FLANGE						DIMENSION														Shaft	
	DN ₁	DN ₂	D11	D12	n1-d1	n2-d2	B1	B	L1	L2	H1	H2	n-Ø	L5	L4	L3	B4	B3	B2	S	d ₁	L
200 - 20	200	150	295	240	8-Ø22	8-Ø22	400	400	381	515	400	323	4-Ø24	250	340	390	370	450	530	36	45	100
200 - 38	200	150	295	240	12-Ø22	8-Ø22	400	400	381	515	400	354	4-Ø24	250	340	390	370	450	530	36	45	100
200 - 35	200	150	295	240	12-Ø22	8-Ø22	400	400	381	515	400	354	4-Ø24	250	340	390	370	450	530	36	45	100
200 - 66	200	150	295	240	12-Ø22	8-Ø22	450	450	433	590	500	390	4-Ø23	300	430	480	490	560	630	40	55	110
200 - 60	200	150	295	240	12-Ø22	8-Ø22	450	450	433	590	500	390	4-Ø23	300	430	480	490	560	630	40	55	110
200 - 105	200	150	310	250	12-Ø26	8-Ø26	500	600	433	590	500	456	4-Ø23	300	430	480	630	700	770	40	55	110
200 - 90	200	150	310	250	12-Ø26	8-Ø26	500	600	433	590	500	456	4-Ø23	300	430	480	630	700	770	40	55	110
250 - 30	250	200	355	295	12-Ø26	12-Ø22	450	450	433	590	500	374	4-Ø23	300	430	480	490	560	630	40	55	110
250 - 28	250	200	355	295	12-Ø26	12-Ø22	450	450	433	590	500	374	4-Ø23	300	430	480	490	560	630	40	55	110
250 - 52	250	200	355	295	12-Ø26	12-Ø22	500	500	433	590	500	396	4-Ø23	300	430	480	490	560	630	40	55	110
250 - 48	250	200	355	295	12-Ø26	12-Ø22	500	500	433	590	500	396	4-Ø23	300	430	480	490	560	630	40	55	110
250 - 91	250	200	355	295	12-Ø26	12-Ø22	500	600	511	695	600	448	4-Ø23	320	400	480	600	700	800	45	65	140
250 - 82	250	200	355	295	12-Ø26	12-Ø22	500	600	511	695	600	448	4-Ø23	320	400	480	600	700	800	45	65	140
250 - 150	250	200	370	310	12-Ø31	12-Ø28	550	650	511	695	600	518	4-Ø23	320	400	480	600	700	800	32	65	140
250 - 132	250	200	370	310	12-Ø31	12-Ø28	550	650	511	695	600	518	4-Ø23	320	400	480	600	700	800	32	65	140
300 - 37	300	250	410	355	12-Ø26	12-Ø26	500	500	511	695	600	420	4-Ø23	320	400	480	600	700	800	45	65	140
300 - 39	300	250	410	355	12-Ø26	12-Ø26	500	500	511	695	600	420	4-Ø23	320	400	480	600	700	800	45	65	140
300 - 66	300	250	485	355	12-Ø26	12-Ø26	550	550	556	754	670	482	4-Ø23	440	520	612	600	700	800	45	75	140
300 - 54	300	250	485	355	12-Ø26	12-Ø26	550	550	556	754	670	482	4-Ø23	440	520	612	600	700	800	45	75	140
300 - 116	300	250	430	370	16-Ø30	12-Ø30	550	650	554	754	670	485	4-Ø23	440	520	612	600	700	800	32	75	140
300 - 104	300	250	430	370	16-Ø30	12-Ø30	550	650	554	754	670	485	4-Ø23	440	520	612	600	700	800	32	75	140
350 - 24	350	300	470	410	16-Ø26	12-Ø26	500	550	511	695	600	450	4-Ø23	320	400	480	600	700	800	45	65	140
350 - 23	350	300	470	410	16-Ø26	12-Ø26	500	550	511	695	600	450	4-Ø23	320	400	480	600	700	800	45	65	140
400 - 53	400	300	525	410	16-Ø30	12-Ø26	550	650	556	754	670	450	4-Ø23	440	520	612	600	700	800	48	75	140
400 - 51	400	300	525	410	16-Ø30	12-Ø26	550	650	556	754	670	450	4-Ø23	440	520	612	600	700	800	48	75	140
400 - 32	400	350	525	470	16-Ø30	16-Ø26	550	650	556	754	670	505	4-Ø23	440	520	612	600	700	800	48	75	140
400 - 31	400	350	525	470	16-Ø30	16-Ø26	550	650	556	754	670	505	4-Ø23	440	520	612	600	700	800	48	75	140
400 - 70	400	350	525	470	16-Ø30	16-Ø26	650	700	622	860	750	540	4-Ø23	420	520	720	850	950	1050	50	85	175
400 - 67	400	350	525	470	16-Ø30	16-Ø26	650	700	622	860	750	540	4-Ø23	420	520	720	850	950	1050	50	85	175
400 - 94	400	300	525	410	16-Ø30	12-Ø26	650	700	622	860	750	535	4-Ø23	450	520	610	850	950	1050	50	85	175
400 - 80	400	300	525	410	16-Ø30	12-Ø26	650	700	622	860	750	535	4-Ø23	450	520	610	850	950	1050	50	85	175
400 - 160	400	300	550	430	16-Ø36	16-Ø30	650	700	622	860	750	594	4-Ø23	420	520	720	850	950	1050	40	85	175
400 - 139	400	300	550	430	16-Ø36	16-Ø30	650	700	622	860	750	594	4-Ø23	420	520	720	850	950	1050	40	85	175
450 - 43	450	400	585	525	20-Ø31	16-Ø31	650	750	622	860	750	545	4-Ø23	450	520	612	850	950	1050	55	85	175
450 - 42	450	400	585	525	20-Ø31	16-Ø31	650	750	622	860	750	545	4-Ø23	450	520	612	850	950	1050	55	85	175
500 - 75	500	400	650	525	20-Ø33	16-Ø3	650	750	622	860	750	545	4-Ø23	45	520	612	850	950	1050	55	85	175



Dimension of inlet



Dimension of outlet



CONTACT INFORMATION

บริษัท เจ็บบีแซน แอนด์ เจ็สเซน เทคโนโลยี (ที) จำกัด

23/110-117 อาคารสรัช ชั้น 26 ซอยสุขุมวิท 63 (เอกมัย)

ถนนสุขุมวิท คลองตันเหนือ วัฒนา กรุงเทพฯ 10110

โทรศัพท์ 0 2787 8400

โทรสาร 0 2787 8401

E-mail : pump_th@jjsea.com

สาขา เชียงใหม่

363 หมู่ 1 ถนนเชียงใหม่ - ลำปาง

ตำบล ท่าศาลา อำเภอ เมือง

จังหวัด เชียงใหม่ 50000

โทรศัพท์ 0 5385 0263 - 4

โทรสาร 0 5385 0265

ศูนย์บริการและอะไหล่

294/3 ซอยศูนย์วิจัย 4 ถนนพระราม 9 บางกะปิ

ห้วยขวาง กรุงเทพฯ 10320

โทรศัพท์ 0 2787 8441- 5

โทรสาร 0 2716 8006

E-mail : pumpservice_th@jjsea.com



JEBSEN & JESSEN
TECHNOLOGY

A member of the Jepsen & Jessen Group of Companies South East Asia.